



Undercounter Model UC-24R All Refrigerator



UNDERCOUNTER



Model UC-24R

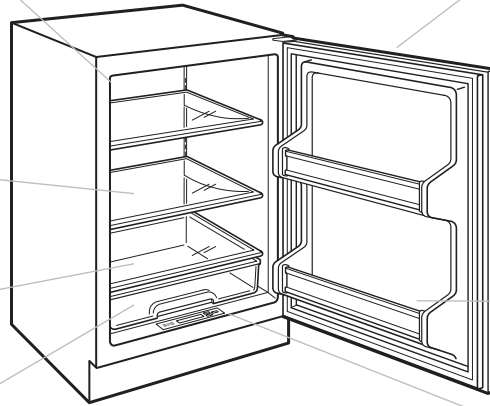
Location of rating/
serial number plate

Overlay or stainless
steel application

Spill-proof cantilever
glass shelves

Spill-proof glass
floor

Clear utility bin



Two-litre bottle
door storage
(bottom shelf)

Easy-access
electronic controls



This appliance will be certified by Star-K to meet strict religious regulations in conjunction with specific instructions found on www.star-k.org.

► The Sub-Zero Undercounter all refrigerator Model UC-24R can accommodate an overlay or stainless steel door front panel. A classic stainless steel door panel and tubular handle is available as a sales accessory.

Sub-Zero Undercounter units simplify life at home by bringing refrigeration anywhere it's needed. Fresh greens in the kitchen island. Soda and snacks in the media room. Chilled mineral water in the master suite. Imagine how this innovative built-in unit can serve you.

The all refrigerator Model UC-24R can be fitted with a custom overlay or stainless steel door front panel. A classic stainless steel door panel with tubular handle is available as a sales accessory.

The Model UC-24R offers more features than ever with easy-access electronic controls, LCD display, spill-proof cantilever glass shelves, utility bin for storage of smaller items and two-litre bottle storage in the bottom door shelf.

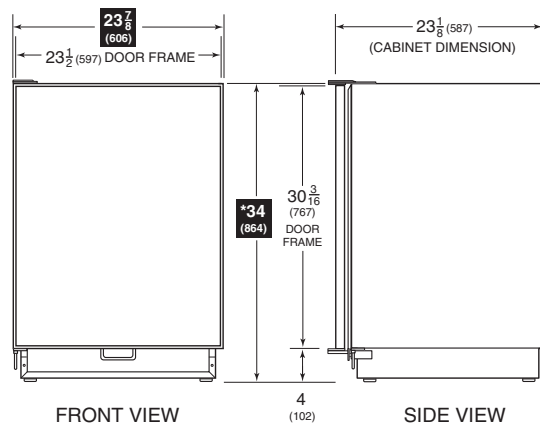


Undercounter Model UC-24R

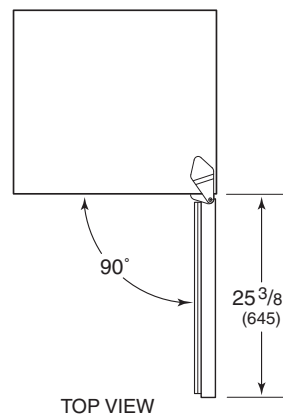
FEATURES

- ▶ All refrigerator
- ▶ Energy Star qualified
- ▶ Can be fitted with a custom overlay or stainless steel door front panel
- ▶ Classic stainless steel door panel with tubular handle available as a sales accessory
- ▶ Easy-access electronic controls with LCD display
- ▶ Adjustable spill-proof cantilever glass shelves and spill-proof glass floor
- ▶ Clear utility bin for storage of smaller items
- ▶ Two-litre bottle storage in the bottom door shelf
- ▶ Optional lock available as a sales accessory
- ▶ UL approved for US and Canada
- ▶ Two, five and twelve year residential warranty—exclusions apply, see warranty at the end of this guide

OVERALL DIMENSIONS



*1/2" (13) ± ADJUSTMENT IN LEVELING LEGS



UNDERCOUNTER

Dimensions may vary by ± 1/8" (3).

Dimensions in parentheses are in millimeters unless otherwise specified.



Undercounter Model UC-24R



UNDERCOUNTER

MODEL

All Refrigerator UC-24R

Classic stainless steel door front panel is available as a sales accessory and includes a tubular handle.

ACCESSORIES

- ▶ Classic stainless steel door front panel with tubular handle
- ▶ Classic stainless steel tubular handle for overlay application
- ▶ Polished chrome handle for overlay application
- ▶ UL approved door lock kit

Accessories are available through your Sub-Zero dealer. To obtain local dealer information, visit the Locator section of our website, subzero.com.

SPECIFICATIONS

Model UC-24R	Undercounter All Refrigerator
Overall Width	23 ⁷ / ₈ " (606)
Overall Height	34" (864)
Overall Depth	24" (610)
Refrigerator Capacity	5.7 cu ft (161 L)
Door Swing Clearance	25 ³ / ₈ " (645)
Electrical Requirements	115 V AC, 60 Hz 15 amp dedicated circuit
Annual Energy Usage (based on 9.06 cents per kilowatt hour) Energy Star Qualified	339 kWh / \$31
Shipping Weight	130 lbs (59 kg)

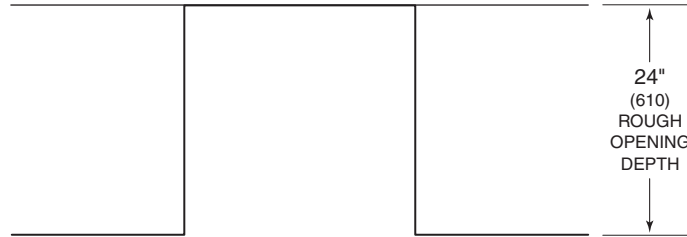
Specifications are subject to change without notice.

Undercounter Model UC-24R

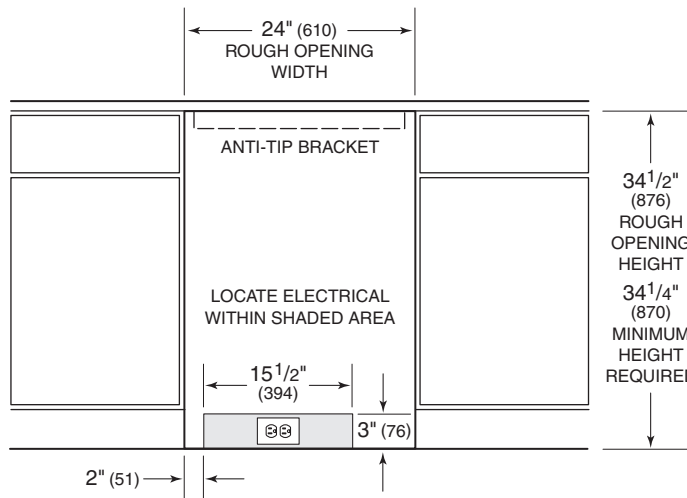
INSTALLATION SPECIFICATIONS



UNDERCOUNTER



TOP VIEW



FRONT VIEW

DIMENSIONS

Finished Rough Opening Width	24" (610)
Finished Rough Opening Height	34 1/2" (876)
Finished Rough Opening Depth	24" (610)
Location of Electrical	Within shaded area

See Installation Instructions shipped with unit for detailed specifications.



Undercounter Model UC-24R

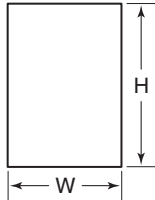
INSTALLATION NOTES

- ▶ Refer to the illustrations and specifications for overall dimensions, finished rough opening dimensions and installation specifics.
- ▶ The Undercounter unit must be installed to open a minimum of 90° or you will have problems pulling the utility bin out.
- ▶ For corner installations, you need allow for a minimum 3" (76) filler so the door can open to 90°. If you are using some larger handle hardware, you will also need to take that into account.
- ▶ The anti-tip bracket must be installed to prevent the unit from tipping forward.
- ▶ When planning to install the Undercounter unit next to adjoining cabinetry, you must make provisions to allow the door to open to a maximum of 145° and not interfere with the door panel. Refer to the full-scale illustration on page 8 for cabinetry dimensions.
- ▶ For the overlay application, you will need to provide a decorative door panel. Refer to the overlay door panel information on page 6. You must also supply your own handle hardware.
- ▶ For the overlay application, the weight limit for the decorative door panel is 20 lbs (9 kg). The panel must be a minimum of 5/8" (16) thick.
- ▶ A 115 V AC, 60 Hz, 15 amp fused electrical supply is required. It is recommended that a separate circuit, serving only this appliance, be provided.
- ▶ The Model UC-24R is equipped with a power supply cord with a 3-prong grounding plug which must be plugged into a mating 3-prong grounding type wall receptacle. The electrical outlet must be placed so the grounding prong is to the right of the thinner blades. The outlet must be flush with the back wall. Locate electrical within the shaded area shown in the installation illustration on page 4.
- ▶ You must follow all National Electrical Code regulations. In addition, be aware of local codes and ordinances when installing your service.
- ▶ Refer to the Undercounter Installation Instructions packed with the appliance, which provides step-by-step procedures for making sure the unit is installed properly.

Undercounter Model UC-24R



UNDERCOUNTER



► *Overlay Door Panel*

OVERLAY DOOR PANEL

Undercounter models come ready to accept a custom overlay panel. The overlay door panel design allows for a decorative panel to cover the door trim for a seamless appearance that will compliment surrounding cabinetry. You may also choose to match the handle hardware of surrounding cabinetry or use a Sub-Zero accessory handle available through your Sub-Zero dealer. To obtain local dealer information, visit the Locator section of our website, subzero.com. Handles are mounted directly to the overlay panel. Panels are mounted on the door using the Integrated technique of mounting brackets.

IMPORTANT NOTE: The weight of the door panel cannot exceed 20 lbs (9 kg).

When planning to install an Undercounter model next to adjoining cabinetry, you must make provisions to allow the door to open to a maximum of 145° and not hit the door panel. Refer to the full-scale illustration on page 8.

Refer to the following chart and the Overlay Door Panel illustration for panel specifications for Model UC-24R.

OVERLAY PANEL DIMENSIONS ▼

Door Panel Width	23 ³ / ₄ " (603)
Door Panel Height	30 ¹ / ₁₆ " (764)
Door Panel Weight	20 lbs (9 kg) max
Panel Thickness	⁵ / ₈ " (16) min



Undercounter Model UC-24R



UNDERCOUNTER

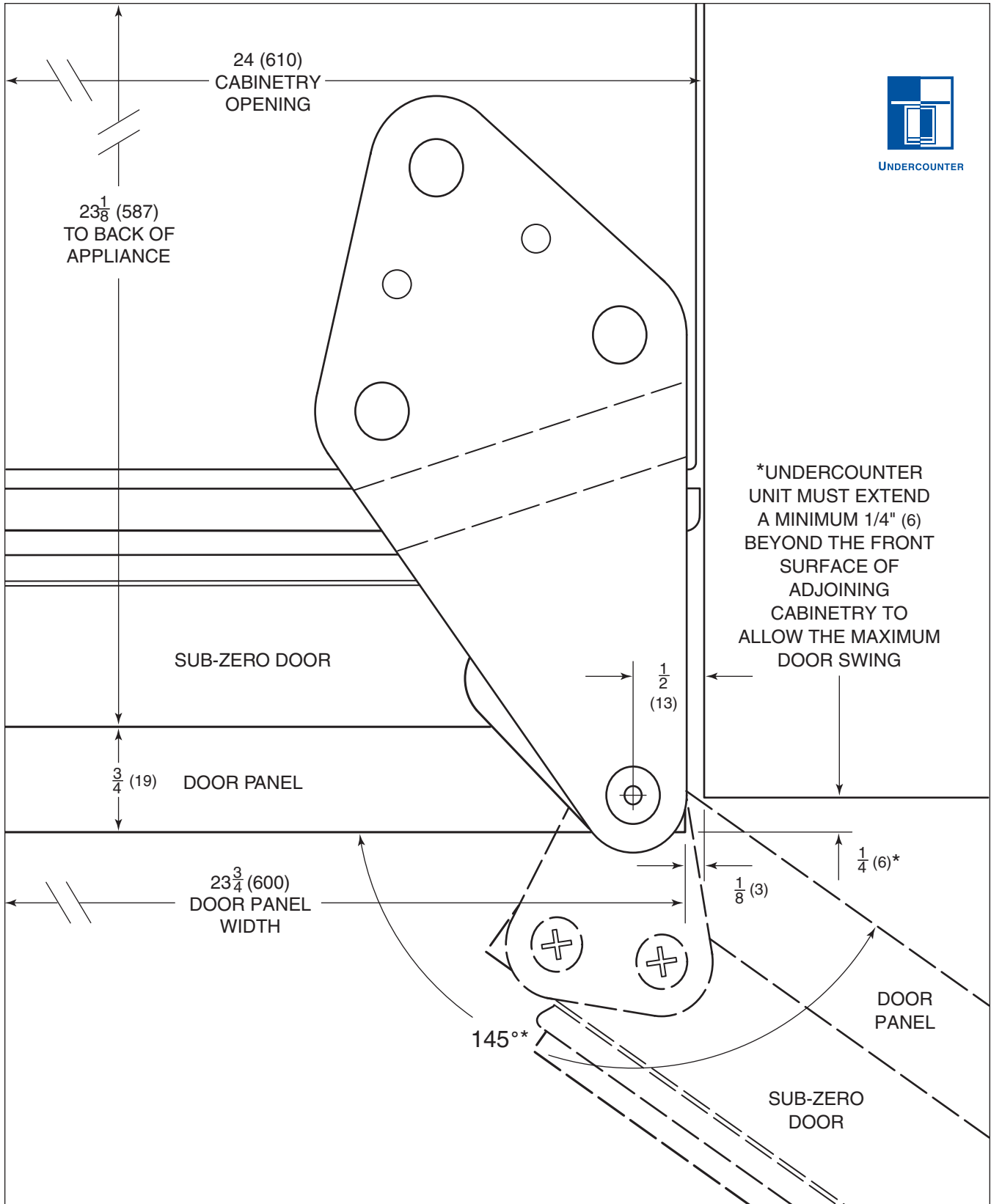
HARDWARE CONSIDERATIONS

When using an Undercounter model in an overlay application, you must provide your own handle hardware. It is recommended you use our optional handles, available as sales accessories. We recommend using a pull handle and not a pull knob. The handle must be fastened directly to the overlay panel, regardless of the type of handle used.

Optional stainless steel handles are available in a variety of diameters and lengths in the classic stainless steel finish and polished chrome. Contact your Sub-Zero dealer for specifics. To obtain local dealer information, visit the Locator section of our website, subzero.com.

Undercounter Model UC-24R

DOOR CLOSED AND 145° MAX OPENING



Dimensions in parentheses are in millimeters unless otherwise specified.