



**Model WS-30
Wine Storage**

Better wine storage conditions for the bottle ultimately means better enjoyment in the glass. Model WS-30 is our largest wine storage unit with a capacity of 147 (750 ml) bottles. Two independent storage zones maintain the temperature and humidity that wine—and wine lovers—require. Model WS-30 is available in framed, overlay and stainless steel model options.



Model WS-30/S/PH shown.

Features

- Framed, overlay and stainless steel model options.
- Flush inset installation option allows unit to sit flush with surrounding cabinetry.
- Standard full-view glass door with UV protection—high altitude glass door model options available.
- Two independent temperature zones with ideal humidity.
- Sturdy, rustproof wire shelves accommodate standard 750 ml bottles, half-bottles, as well as magnums.
- Five top-zone standard shelves with 50 (750 ml) bottle capacity.
- Nine bottom-zone standard shelves with 90 (750 ml) bottle capacity.
- Illuminated display shelf holds 750 ml bottles or magnums.
- Discreet LED interior lighting.
- Optional lock and tie-in to home security system.
- Flip-up grille for easy access to condenser.

Model Options	WS-30/F	WS-30/O	WS-30/S/TH	WS-30/S/PH	WS-30/S/CH
Design	Framed	Overlay/Flush Inset	Stainless	Stainless	Stainless
Grille	Louvered	Panel	Stainless	Stainless	Stainless
Handle	Full-Length	*	Tubular	Pro	Curved

**Handle not included to allow for design flexibility.*

Accessories

- Louvered, panel and stainless steel grilles for 83", 84" and 88" finished heights.
- Stainless steel front panels for flush inset and dual flush inset applications with stainless steel finish and handle options.
- Classic stainless steel and white side panels available for free-standing applications.
- Extended full-length framed handle.
- Tubular handles in classic, platinum and carbon stainless steel for overlay design.
- Pro and curved handles available in classic stainless steel.
- UL approved lock.

Accessories are available through your Sub-Zero dealer. To obtain local dealer information, visit the showroom locator section of our website, subzero.com.

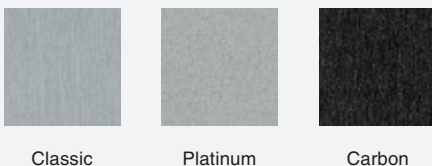
Enemies of Wine

- Heat** – Two independent storage zones can be set in a range of 38°F to 65°F, with one-degree digital accuracy.
- Light** – UV resistant bronze tinted glass shields wines from harmful rays.
- Humidity** – Dual evaporators, one for each storage zone, maintain steady, moderate humidity.
- Vibration** – Sub-Zero's quiet compressor lets wines rest undisturbed. Shelves glide out smoothly, providing access without agitating the wine.

For additional information on the enemies of wine, visit www.subzerowine.com.



K This appliance is certified by Star-K to meet strict religious regulations in conjunction with specific instructions found on www.star-k.org.



Classic

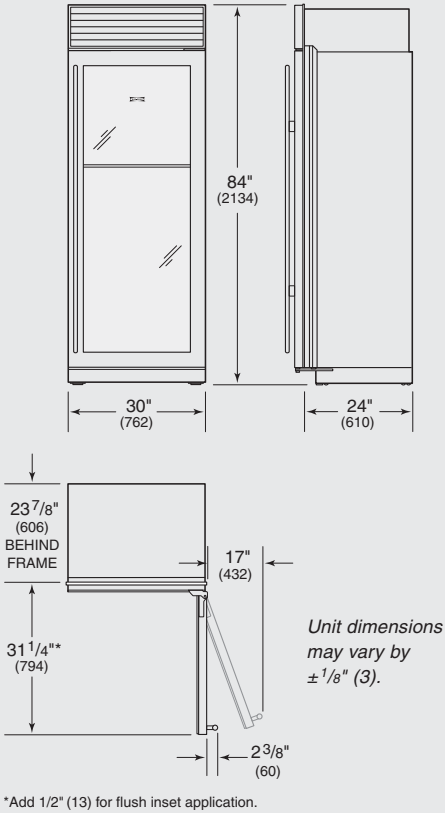
Platinum

Carbon



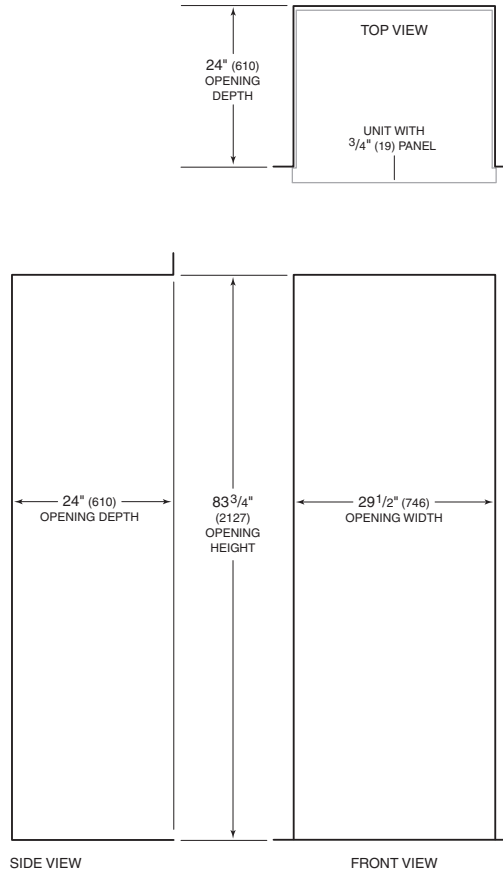
**Model WS-30
Wine Storage**

Overall Dimensions



Installation Specifications

Standard Installation



Specifications

Overall Dimensions	30"W x 84"H x 24"D
Door Clearance	Standard 31 1/4" Flush Inset 31 3/4"
Wine Storage Capacity	147 bottles*
Opening Width	29 1/2"
Flush Inset Width	32"
Opening Height	83 3/4"
Flush Inset Height	84"
Opening Depth	24"
Flush Inset Depth	26 3/16"
Electrical Requirements	115 V AC, 60 Hz 15 amp circuit
Shipping Weight	Glass Door – 435 lbs Glass Door/Stainless Steel – 445 lbs

*750 ml bottles.

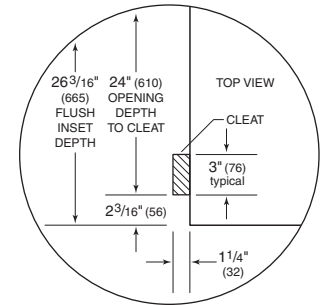
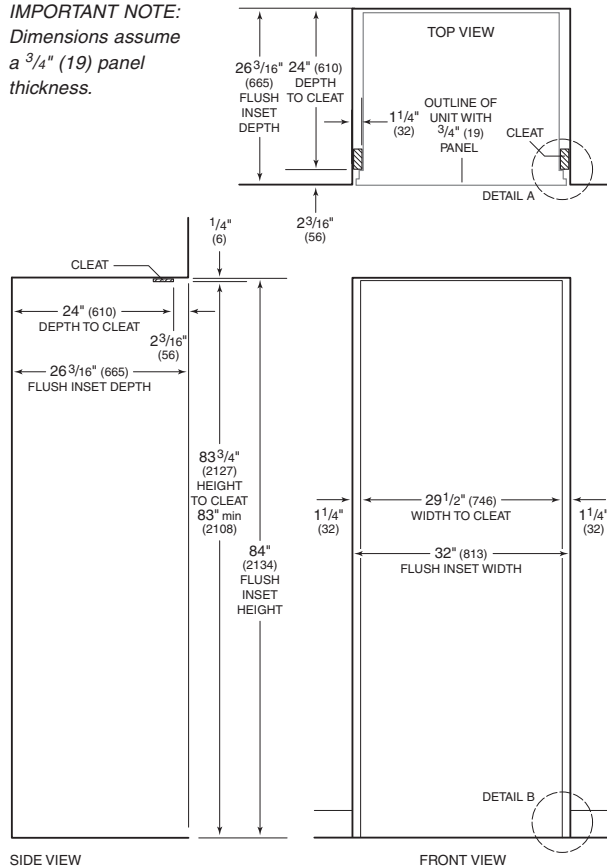
Installation Notes

For framed and overlay models, you will be adding a door panel for a custom look. Overlay models also allow you to match surrounding cabinetry hardware, and the panel grille accepts a custom panel insert.

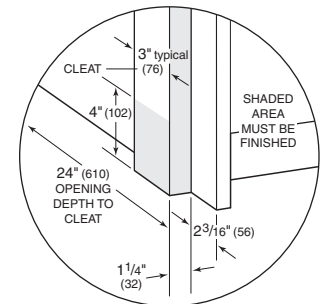
Complete installation specifications, including panel sizes, can be found on our website, subzero.com.

Flush Inset Installation

IMPORTANT NOTE:
Dimensions assume a 3/4" (19) panel thickness.



Detail A



Detail B

Dimensions in parentheses are in millimeters unless otherwise specified.