



## Model UC-24C Undercounter Refrigerator/Freezer

Sub-Zero Undercounter units simplify life at home by bringing refrigeration anywhere it's needed. Fresh greens in the kitchen island. Ice, soda and snacks in the media room. Chilled mineral water in the master suite. The combination Model UC-24CI features a wine storage shelf and an automatic ice maker. You can order a classic stainless steel panel, or the unit is ready to be fitted with your custom cabinet panel.



Model UC-24C with overlay panel shown.

### Features

- Can be fitted with a custom overlay or stainless steel door front panel
- Classic stainless steel door panel with tubular handle available as sales accessory
- Easy-access electronic controls with LCD display
- Roller-glide wine storage shelf with up to eight (750 ml) bottle capacity
- Adjustable, spill-proof cantilever glass shelf
- Two-litre bottle storage in door
- Automatic ice maker (UC-24CI)
- Optional door lock available as sales accessory
- Meets strict Department of Energy requirements

### Model Options

### UC-24C

Design/Finish

Overlay or Classic\*

\*Classic stainless steel door front panel with handle available only as sales accessory.

### Interior Features

- **Refrigerator**
  - Wine Storage Shelf
  - 2 Adjustable Glass Shelves
  - Door Shelf
- **Freezer**
  - Automatic Ice Maker (UC-24CI)
  - Automatic Defrost

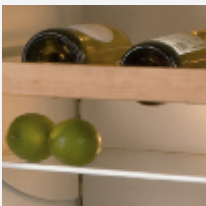
### Accessories

- Classic stainless steel door front panel with tubular handle
- Classic stainless steel handle for custom panel application
- Polished chrome handle for overlay application
- UL approved door lock kit

Accessories are available through your Sub-Zero dealer. To obtain local dealer information, visit the Showroom Locator section of our website, [subzero.com](http://subzero.com).



This appliance is certified by Star-K to meet strict religious regulations in conjunction with specific instructions found on [www.star-k.org](http://www.star-k.org).



Wine Storage Shelf



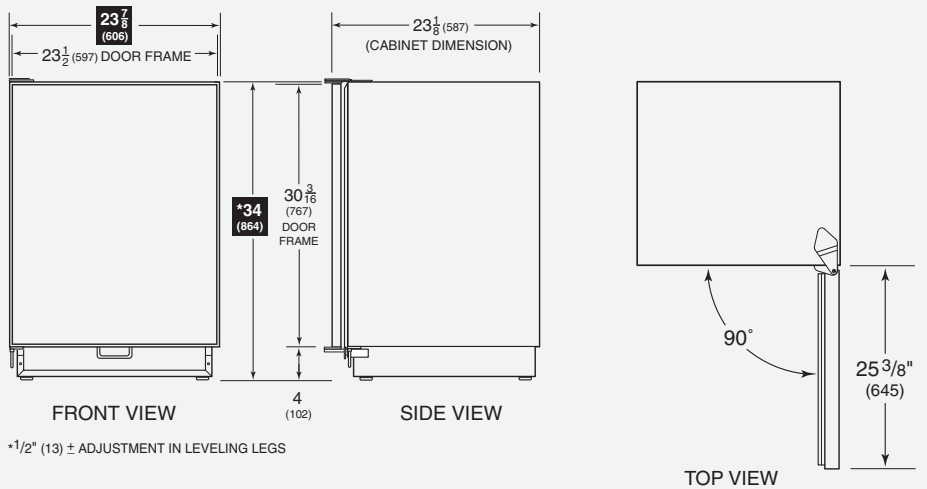
Clear Ice Bucket





**Model UC-24C  
Undercounter Refrigerator/Freezer**

**Overall Dimensions**



Unit dimensions may vary by ±1/8".

**Specifications**

Overall Width	237/8"
Overall Height	34"
Overall Depth	24"
Door Clearance	253/8"
Refrigerator Capacity	3.6 cu ft
Wine Storage Capacity	up to 8 Bottles (750 ml)
Freezer Capacity	1.1 cu ft
Opening Width	24"
Opening Height	34 1/2"
Opening Depth	24"
Electrical Requirements	115 V AC, 60 Hz 15 amp dedicated circuit
Plumbing Requirements	1/4" copper line 20–100 psi
Annual Energy Usage	\$40*
Shipping Weight	130 lbs

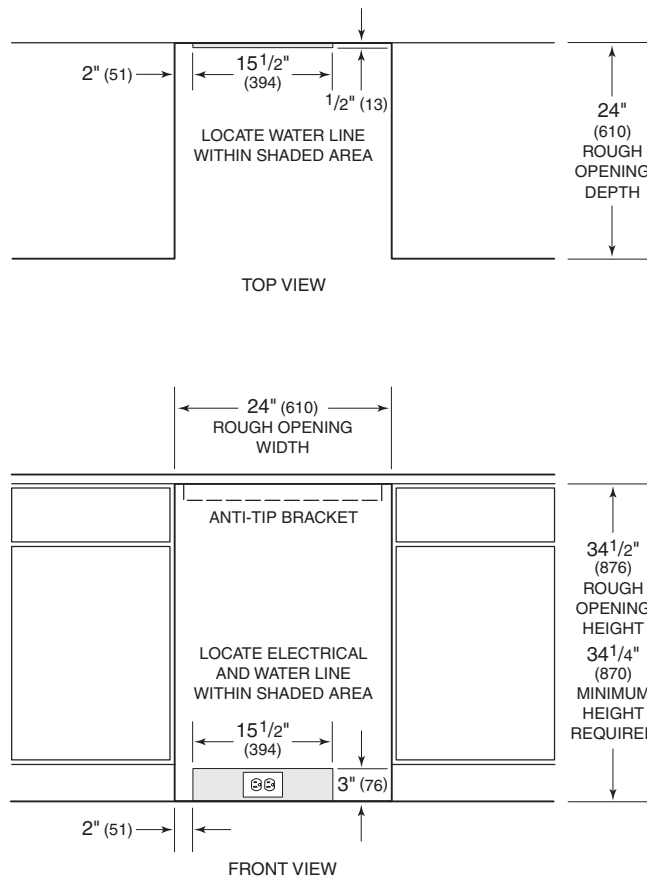
\*Based on 9.06 cents per kilowatt hour.

**Installation Notes**

Undercounter Model UC-24C is available in your choice of the overlay or classic stainless steel design application. A classic stainless steel door front panel with tubular handle is available as a sales accessory.

Complete installation specifications, including panel sizes, can be found on our website, subzero.com.

**Installation Specifications**



Dimensions in parentheses are in millimeters unless otherwise specified.