



24" Free-Standing Wine Storage

Better wine storage conditions for the bottle ultimately means better enjoyment in the glass. Free-standing model 424FSG has a wine storage capacity of 46 (750 ml) bottles. Two independent storage zones maintain the temperature and humidity that wine — and wine lovers — require. The exterior is completely clad in stainless steel for a free-standing application.



Model 424FSG shown in a free-standing application.

FEATURES

- Designed for a freestanding application with stainless steel exterior.
- Individual temperature control of two separate compartments.
- Maintains ideal storing and serving temperature for all wines, humidity and UV protection.
- Temperature zones range from 38°F to 65°F.
- Full-view, UV-resistant glass door—high altitude glass available.
- Illuminated touch control panel.
- Discreet interior lighting.
- Wine shelves accommodate 750 ml bottles, half-bottles and magnums.
- Roller-glide wine shelves with natural cherrywood facing have three-quarter extension for easy access.
- Can be connected to home security system.
- Star-K compliant with installation of a harness kit.

ACCESSORIES

- Stainless steel tubular and pro handles.
- UL approved door lock.

Accessories are available through your Sub-Zero dealer. For local dealer information, visit the find a showroom section of our website, subzero.com.

ENEMIES OF WINE

Heat – Two independent storage zones can be set in a range of 38°F to 65°F, with one-degree digital accuracy.

Light – UV resistant bronze tinted glass shields wines from harmful rays.

Humidity – Dual evaporators, one for each storage zone, maintain steady, moderate humidity.

Vibration – Sub-Zero's quiet compressor lets wines rest undisturbed. Shelves glide out smoothly, providing access without agitating the wine.

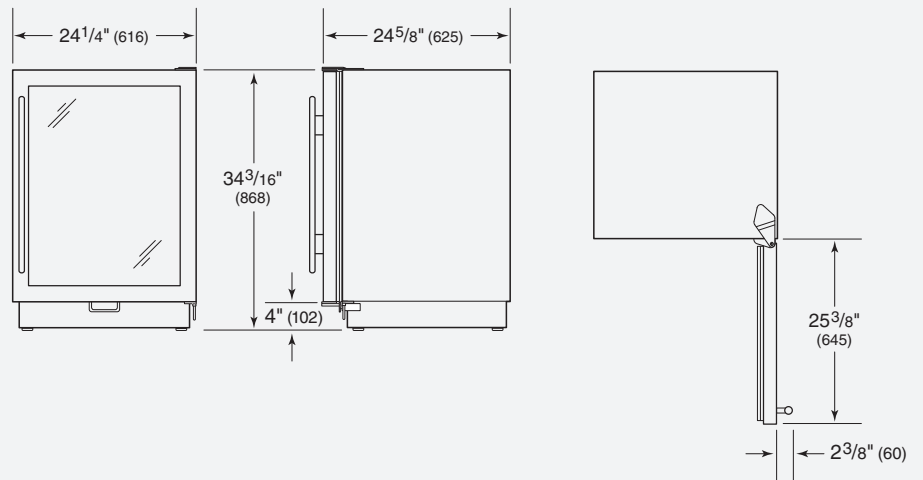
For additional information on the enemies of wine, visit www.subzerowine.com.





24" Free-Standing Wine Storage

OVERALL DIMENSIONS



Unit dimensions may vary by $\pm 1/8$ ".

SPECIFICATIONS

Overall Width	24 1/4"
Overall Height	34 3/16"
Overall Depth	24 5/8"
Door Clearance	25 3/8"
Wine Storage Capacity	46 bottles*
Electrical Requirements	115 V AC, 60 Hz 15 amp dedicated circuit
Shipping Weight	220 lbs

*750 ml bottles.

Dimensions in parentheses are in millimeters unless otherwise specified.