



**Model 315I(P)
Undercounter Ice Maker**

Sub-Zero Undercounter units simplify life at home by bringing refrigeration anywhere it's needed. In the kitchen, a high-volume ice maker is a must for entertaining. The Model 315I(P) ice maker produces ice that resembles a small barrel. Model 315I(P) has a storage capacity of 26 pounds of ice.



Model 315I(P) shown with custom overlay door panel.

Features

- Can be fitted with a custom overlay or stainless steel door front panel
- Classic stainless steel door panel with tubular handle available as sales accessory
- Model 315I has a gravity drain, while Model 315IP has a built-in pump to allow water to drain into adjacent sink
- Automatic ice maker provides high-quality, clear ice
- Ice storage capacity of up to 26 lbs
- Automatic defrost
- Reversible door swing
- Front venting with removable kickplate allows unit to be serviced from the front
- Meets strict Department of Energy requirements

Model Options

Drain Type

315I

315IP

Gravity Drain

Drain Pump

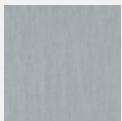
Interior Features

- **Ice Maker**
Automatic Ice Maker
Automatic Defrost
Ice Scoop

Accessories

- Classic stainless steel door front panel with tubular handle in 15" and 18" widths
- Classic stainless steel handle for custom panel application
- Filler strip for 18" opening

Accessories are available through your Sub-Zero dealer. To obtain local dealer information, visit the Locator section of our website, subzero.com.

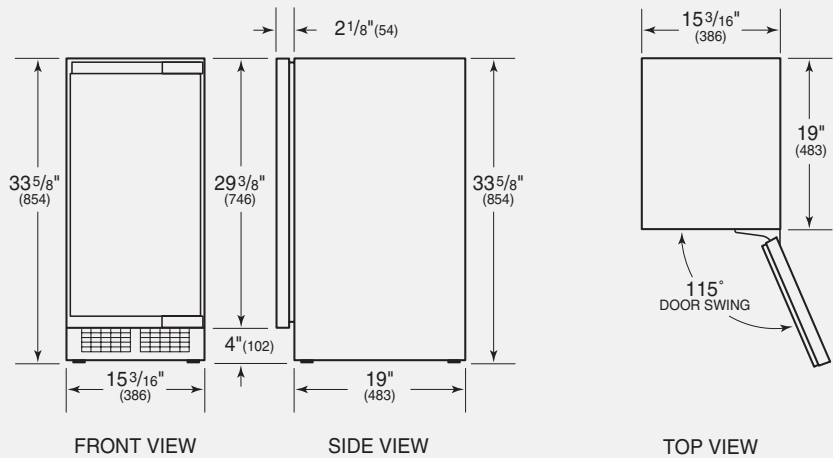


Classic



**Model 315I(P)
Undercounter Ice Maker**

Overall Dimensions



Unit dimensions may vary by ±1/8".

Specifications

Overall Width	15 ³ / ₁₆ "
Overall Height	33 ⁵ / ₈ "
Overall Depth	24"
Door Clearance	15 ¹ / ₄ "
Ice Storage Capacity	26 lbs
Opening Width	15 ¹ / ₄ "
Opening Height	34 ¹ / ₂ "
Opening Depth	24"
Minimum Height Required	33 ³ / ₄ "
Electrical Requirements	115 V AC, 60 Hz 15 amp dedicated circuit
Plumbing Requirements*	1/4" copper line 20–100 psi
Shipping Weight	100 lbs

*Additional plumbing requirements are necessary for the gravity drain (Model 315I) and the drain pump (Model 315IP).

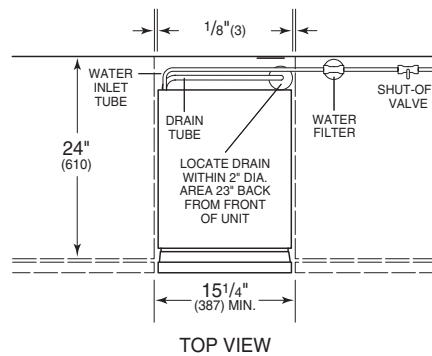
Installation Notes

The ice maker can be ordered with (Model 315IP) or without (Model 315I) a drain pump. Each model has specific plumbing requirements. If you order the unit without a pump, a drain must be installed.

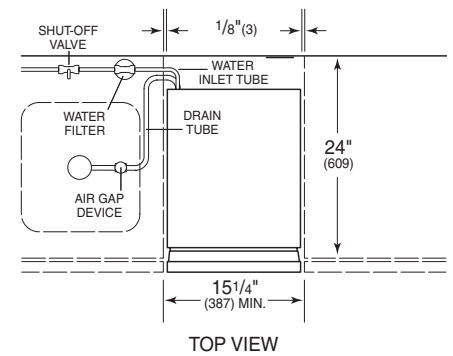
Complete installation specifications, including panel sizes, can be found on our website, subzero.com.

Installation Specifications

Model 315I – Gravity Drain



Model 315IP – Drain Pump



Dimensions in parentheses are in millimeters unless otherwise specified.